

# GO REGULATOR

**REA** TEL 04 75 47 74 85  
FAX 04 75 47 76 29  
Rhône Equipement Automatismes

## PR-9 Series

High Temperature Stainless Steel Pressure Regulator



The PR-9 Series high temperature pressure regulator is designed for the pressure control of gases and liquids up to 1000° F. All metal components in and out of the flow stream provide the user with extended reliability in rigorous high temperature ambient and process applications. This regulator can also be used in applications where no elastomers are allowed in the flow stream. The PR-9 is equipped with a metal-to-metal seat and will not provide bubble-tight shutoff. If shutoff is required, a high temperature shutoff valve must be placed upstream of this regulator

### Features & Specifications

- 650° F (340° C) or 1000° F (540° C)
- All metal construction, no elastomers
- Gas or liquid service
- Inlet pressure 3000 psig at 650° F (343° C), 1500 psig at 1000° F (538° C)
- Adjustable outlet pressure ranges of 0-25, 0-50, 0-100 and 0-250 psig
- Stainless steel (316L or 347), Inconel®, tungsten carbide in flow stream
- Cv flow coefficient of 0.06 and 0.2
- Metal-to-metal seat seal
- Inlet and outlet connections ¼" FNPT
- Operating temperature -382° F (-200° C) to +1000° F (+540° C)

### Options

- ⅜" FNPT connection and ¼" pipe stub
- Panel mount (requires 1⅜" mounting hole)
- Extra inlet and outlet ports
- Special welded connections

### GO Regulator

405 Centura Court • PO Box 4866 • Spartanburg, SC 29303  
Phone (864) 574-7966 • Fax (864) 574-5608  
www.goreg.com • sales@goreg.com

pressure regulators

# PR-9 Series

## How to Order

### PR9 -

#### BODY MATERIAL

- 1 316L stainless steel (650° F)
- 9 347 stainless steel (1000° F)

#### PORT CONFIGURATION

- A Standard
- For more port configurations, see page 35

#### PROCESS PORT TYPES

##### (GAUGE PORT TYPES, IF SPECIFIED)

- 1 ¼" FNPT (¼" FNPT gauge ports)
- 2 ¼" tube stub, 2" long (¼" FNPT gauge ports)
- 3 ¼" sch 80 pipe stub, 4" long (¼" FNPT gauge ports)
- 4 ¾" FNPT (¼" FNPT gauge ports)
- D ¼" pipe socket (¼" FNPT gauge ports)
- 6 ½" tube stub, 2" long (¼" FNPT gauge ports)
- B ¼" internal VCR® (¼" tube gauge ports)
- C ¾" tube stub (¼" FNPT gauge ports)
- K ¼" sch 40 pipe stub, 4" long (¼" FNPT gauge ports)
- S ¼" MVCR (¼" tube gauge ports)

#### SURFACE FINISH OF DIAPHRAGM CAVITY

- 1 < 25 Ra

#### CAP ASSEMBLY

- 1 Standard, stainless steel
- 4 Panel mount, stainless steel
- N Contained bonnet, stainless steel

#### DIAPHRAGM LINER/BACKING

- G Tantalum

#### DIAPHRAGM TYPE

- 1 Standard

#### OUTLET RANGE

- C 0-10 psig
- D 0-25 psig
- E 0-50 psig
- G 0-100 psig
- I 0-250 psig

#### FLOW COEFFICIENT

- 3 0.06
- 5 0.2

#### SEAT MATERIAL

- M 347 stainless steel

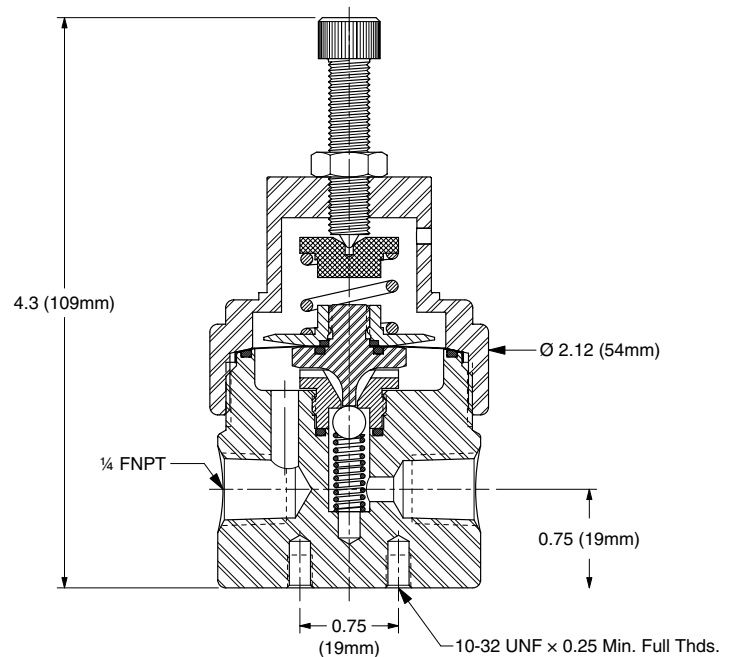
NOTE: The choices above represent an abbreviated list of the more commonly ordered options. For a complete listing of all available options, please see the Selection Wizard on the GO website at [www.goreg.com](http://www.goreg.com) or contact the factory.

## Maximum Temperature & Operating Inlet Pressures

SEAT MATERIAL	MAXIMUM TEMPERATURE	@	MAXIMUM OPERATING INLET PRESSURE
316 stainless steel	650° F (343° C)	@	3000 psig (20.68 MPa)
347 stainless steel	1000° F (538° C)	@	1500 psig (10.34 MPa)

## Outline and Mounting Dimensions

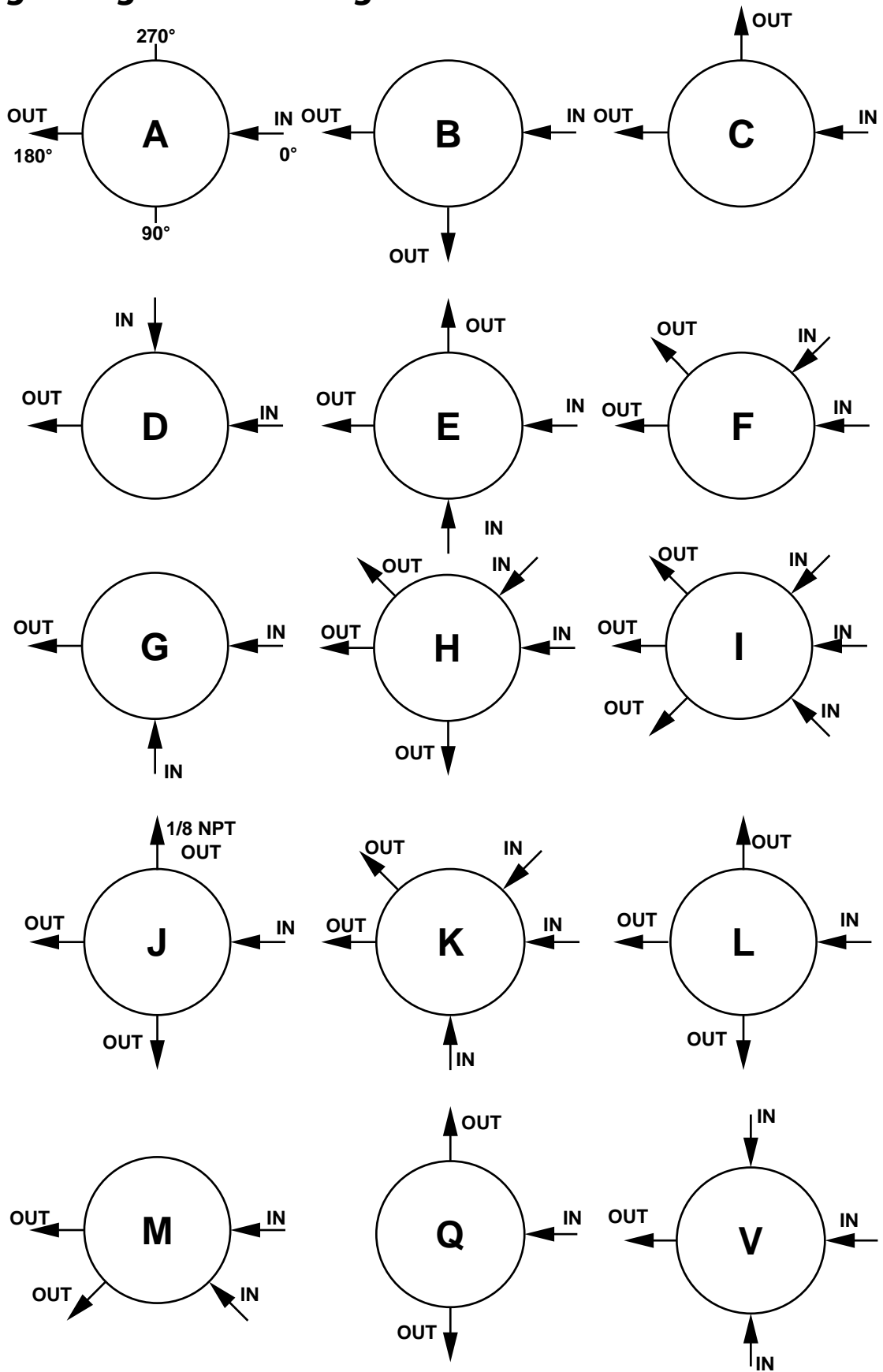
Weight = 2.1 lbs (0.95kg)



Inconel® is a registered trademark of Special Metals Corporation.

VCR® is a registered trademark of Cajon Co.

# Porting Configurations for Single Stage Pressure Regulators



LOCATION OF PORTS FROM TOP VIEW