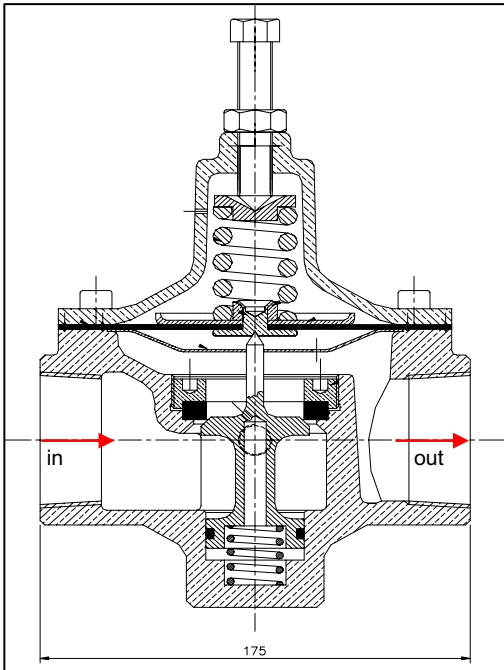




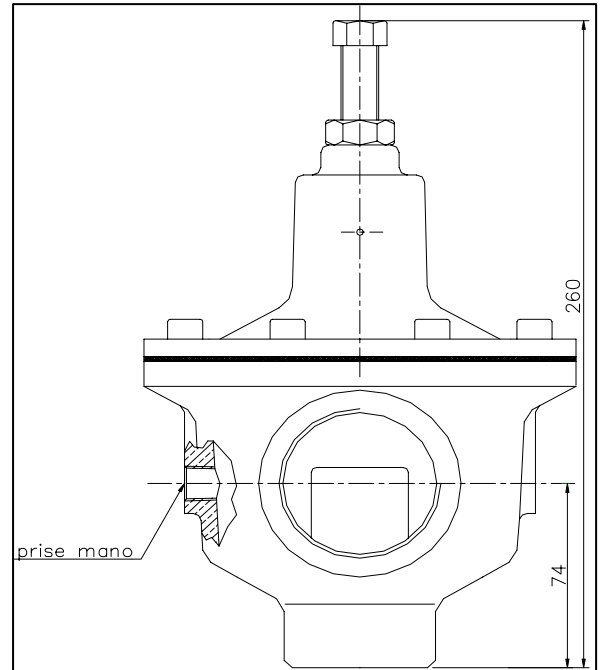
**REA** TEL 04 75 47 74 85  
 FAX 04 75 47 76 29  
 Rhône Equipement Automatismes

## D00505/08/260

<b>Corps:</b>	Inox 316L
<b>Pièces internes:</b>	Inox 316L
<b>Joints:</b>	VITON
<b>Membrane:</b>	Nitrile doublé PTFE
<b>Support de fixation:</b>	Sans
<b>Connexions:</b>	1"1/2 NPTF(in,out+prise de mano.1/4"NPTF)
<b>Pression amont maxi:</b>	20 bar
<b>Règlage pression aval:</b>	0.15 à 12 bar
<b>Coefficient de débit (Cv):</b>	12
<b>Température d'utilisation:</b>	-15°C à + 80°C

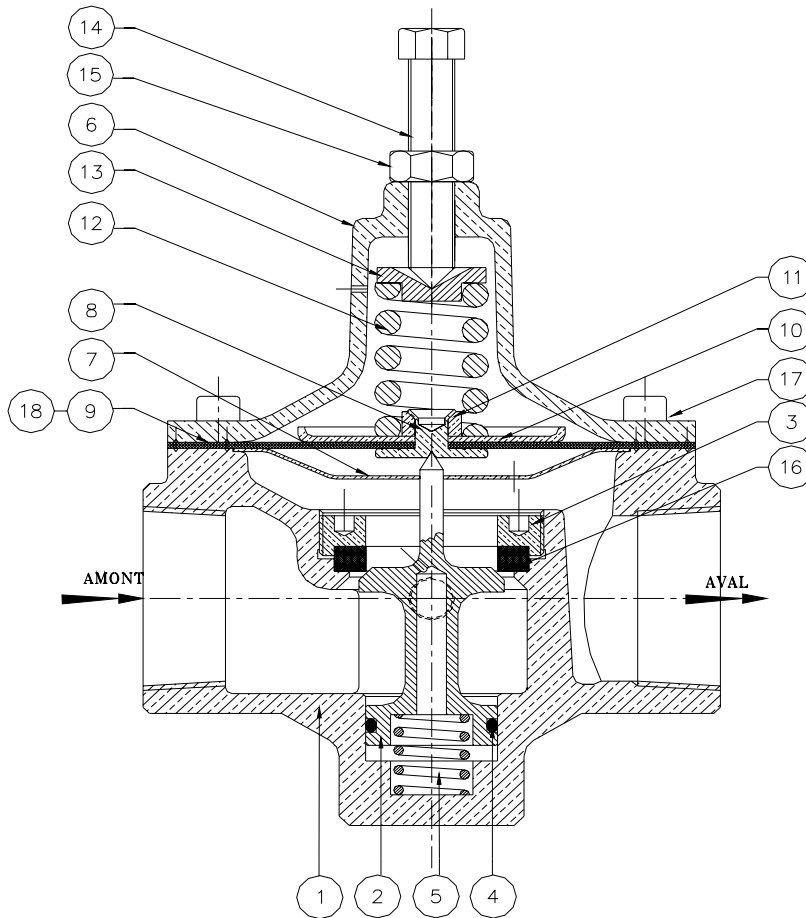


**Option avec  
brides:**  
 Longueur =  
 350mm



**Pièces de rechanges/repair pieces**

<b>A</b>	M00505/08/260	Diaphragm Kit item 7 à 11 / KIT MEMBRANE	1	
<b>B</b>	J00505/08/251	Kit joints / Gaskets kit item 4	1	
<b>C</b>	6900505/16/786	SIEGE / SEAT		1
<b>D</b>	6900505/06/260	CLAPET / VALVE		1
<b>E</b>	0CR0303D-KS	Ressort de clapet / VALVE SPRING		1
	<b>Codification</b>	<b>Designation</b>	<b>nbr.for one year</b>	<b>Nbr. pour 2 ans / nbr.for two years</b>



**Nomenclature/Naming**

<b>18</b>	7300181/29/956	<b>Membrane externe / External diaphragm</b>	<b>1</b>	TV3
<b>17</b>	0ACHC-8-20IS	<b>Vis / Screw</b>	<b>8</b>	Inox A4 SS316
<b>16</b>	6900505/16/786	<b>SIEGE / SEAT</b>	<b>1</b>	PTFE
<b>15</b>	7200613/10/260	<b>Contre écrou / Lock nut</b>	<b>1</b>	Z2 CND 17.12 / SS 316 L
<b>14</b>	7200613/09/260	<b>Vis de réglage / ajustement screw</b>	<b>1</b>	Z2 CND 17.12 / SS 316 L
<b>13</b>	6300613/11/260	<b>Coupelle supérieure / Upper ring</b>	<b>1</b>	Z2 CND 17.12 / SS 316 L
<b>12</b>	0CR0800D-KS	<b>Ressort principal / spring</b>	<b>1</b>	Inox / SS 302
<b>11</b>	7300613/13/260	<b>Bague a sertir / Swaged ring</b>	<b>1</b>	Z2 CND 17.12 / SS 316 L
<b>10</b>	7300505/10/260	<b>Plaque d'appui / Pressure plate</b>	<b>1</b>	Z2 CND 17.12 / SS 316 L
<b>9</b>	7300181/19/786	<b>Membrane interne / Diaphragm</b>	<b>1</b>	PTFE
<b>8</b>	7300613/15/260	<b>Coupelle a sertir / Swaged</b>	<b>1</b>	Z2 CND 17.12 / SS 316 L
<b>7</b>	7300181/17/260	<b>Défecteur / Deflector</b>	<b>1</b>	Z2 CND 17.12 / SS 316 L
<b>6</b>	6100505/02/260	<b>Château / Cap</b>	<b>1</b>	Z2 CND 17.12 / SS 316 L
<b>5</b>	0CR03D-KS	<b>Ressort de clapet / Valve spring</b>	<b>1</b>	Inox / SS 302
<b>4</b>	0BOR-32,5-3,6VI	<b>Joint torique / O ring</b>	<b>1</b>	VITON
<b>3</b>	7200505/03/260	<b>Ecrou de siège / Seat nut</b>	<b>1</b>	Z2 CND 17.12 / SS 316 L
<b>2</b>	6900505/06/260	<b>Valve / Clapet</b>	<b>1</b>	Z2 CND 17.12 / SS 316 L
<b>1</b>	6000505/08/260	<b>Corps / Body</b>	<b>1</b>	Z2 CND 17.12 / SS 316 L

Rep. / tag.	Codification	DESIGNATION	Nbr	MATIERE / MATERIAL
-------------	--------------	-------------	-----	--------------------

**DETENDEUR type:**  
**PRESSURE REDUCER type: DN40 - 1"1/2 NPTF**