

# GO REGULATOR

## BP-6 Series

High Flow Back Pressure Regulator

### Introduction

The BP-6 Series was originally designed as a back pressure regulator for reverse osmosis water purification systems. It may also be easily used in pilot facilities and large instrumentation systems. The standard 316 stainless steel seat assembly, which was intended for long term usage in sea water, can also be useful in various chemical environments. While the stainless steel seat assembly does not offer tight shutoff, it is not normally required in high flow systems. If a more positive shutoff is required a Teflon®/stainless steel seat assembly is available.

The BP-6 Series is normally provided in 316 stainless steel construction but other materials are available.



pressure regulators

### Typical Applications

- Pilot plants
- Large instrumentation systems
- Reverse osmosis water purification systems

### Technical Data

CONSTRUCTION	316L stainless steel (standard), Monel®, Hastelloy® C-276, or titanium (optional)
ADJUSTABLE STANDARD PRESSURE RANGES	0–100, 0–250, 0–500 and 0–1000 psig
OPERATING TEMPERATURE	–40° F to +500° F (–40° C to +260° C)
Cv COEFFICIENT	3.0
INLET & OUTLET CONNECTIONS	½" FNPT

### Features & Benefits

- Gas or liquid service
- Sensing with Teflon® lined stainless diaphragm
- Metal to metal seat

### Options

- Soft seat for bubble tight shutoff
- Panel mounting
- Extra ports
- Special welded connections
- Pressure gauges

### GO Regulator

405 Centura Court • PO Box 4866 (29305) • Spartanburg, SC 29303  
Phone (864) 574-7966 Fax (864) 574-5608  
www.goreg.com • sales@goreg.com

# High Flow Back Pressure Regulators

## Maximum Temperature and Control Pressures

SEAT MATERIAL	MAXIMUM TEMPERATURE	@	MAXIMUM CONTROL RANGE
Teflon®	200° F (93° C)	@	1000 psig (6.88 MPa)
316L stainless steel	500° F (260° C)	@	1000 psig (6.88 MPa)
Monel®	500° F (260° C)	@	1000 psig (6.88 MPa)
Hastelloy® C-276	500° F (260° C)	@	1000 psig (6.88 MPa)
Titanium	500° F (260° C)	@	1000 psig (6.88 MPa)

## How to Order

For additional configurations, consult the factory. **Standard items in bold.**

**BP6 – 1 A 5 1 G 0 J 1 1 1**

**Body Material**

- 1** 316L stainless steel
- 4 Monel®
- 6 Hastelloy® C-276
- 7 Titanium

**Port Configuration**

- A** Standard (body "A")  
See pg. 28 for port locations.

**Process Port Types**

- 5** ½" FNPT (¼" FNPT gauge ports)
- 6** ½" Tube stub, 2" long  
(¼" FNPT gauge ports)
- E** ¾" Tube stub, 2" long  
(¼" FNPT gauge ports)

**Cavity Finish**

- 1** < 25 Ra

**Actuator Material**

- G** 316L stainless steel
- I Teflon®
- N Monel®
- P Hastelloy® C-276
- W Titanium

**Cap Assembly**

- 1** T-handle, stainless steel
- 4 T-handle, panel mount, stainless steel
- L BP-3 Top Works, stainless steel
- O BP-3 Top Works, panel mount, stainless steel

**Diaphragm Facing/Backing Material**

- 1** Teflon® / stainless steel
- 8 Teflon® / Inconel®
- 0 Teflon® / Hastelloy® C-276
- A Teflon® / Tantalum

**Diaphragm Type**

- 1** Standard diaphragm

**Control Range**

- G** 0–100 psig
- I 0–250 psig
- J 0–500 psig
- K 0–1000 psig

**Flow Coefficient (C<sub>v</sub>)**

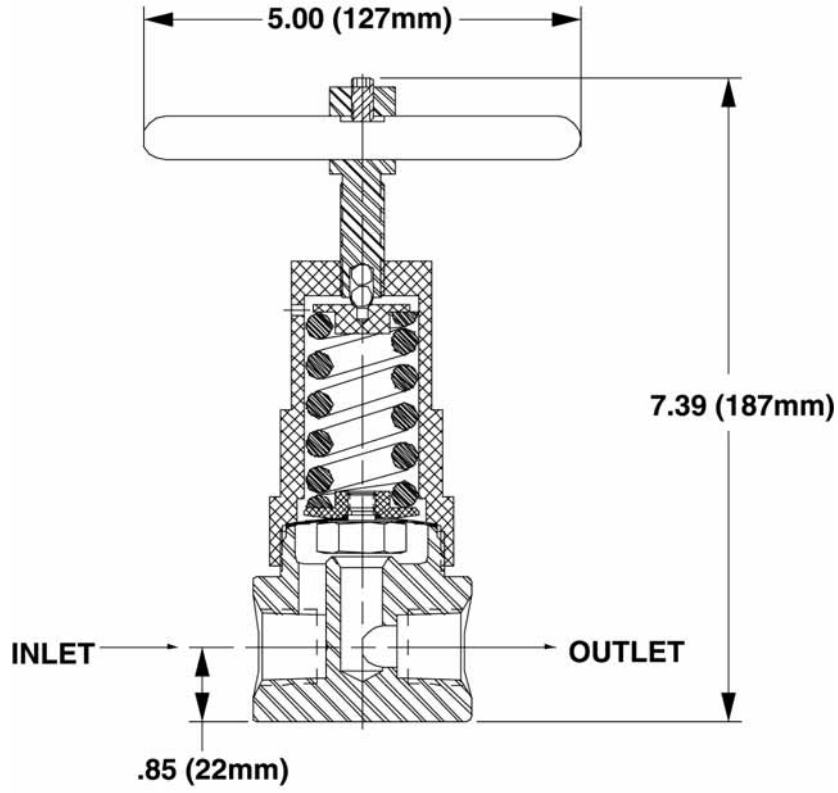
- 0** 3.0

NOTE: The choices above represent an abbreviated list of the more commonly ordered options. For a complete listing of all available options, please see the Selection Wizard on the GO website at [www.goreg.com](http://www.goreg.com) or contact the factory.

# High Flow Back Pressure Regulators

## *Outline and Mounting Dimensions*

---



Weight - 4.3 lbs (1.95 kg)